



— DIMI LIGHT —

Shenzhen Dimi Lighting Co.,Ltd

Tel:+8675523221239 Fax +86 755 23595319
Email:mike@dimilight.com

China factory Add:D building, XinHuiEstate,Tang Tou the 3rd
Industrial Park, ShiYan Town, Bao'an District, Shenzhen, China
518108

Us Office Add:226 Clary Ave San Gabriel CA 91776
Phone: 626 519 5222 626 519 5220 662 415 3568

NJ Warehouse Add:50 Jiffy Rd, Somerset New Jersey 08873,USA

American Factory Add: 1703 Sawyer Road Corinth, MS 38834,USA

Web:www.dimilight.com



Your Reliable One-Stop Lighting Supplier



— DIMI LIGHT —

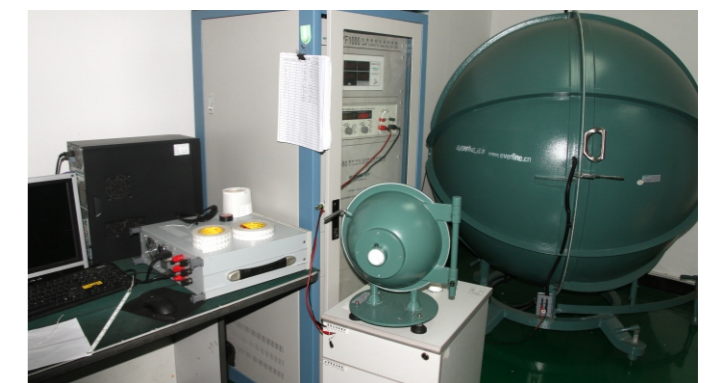
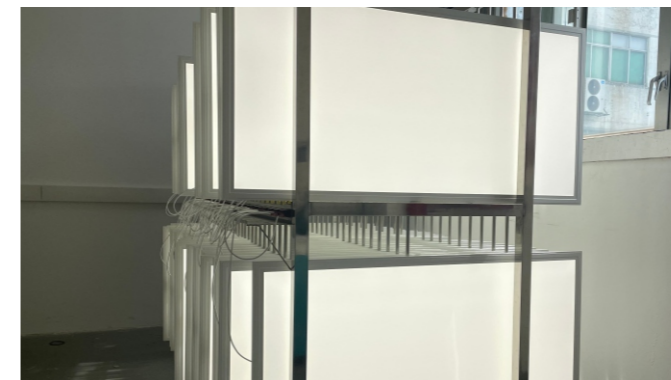
DIMILIGHT COMPANY PROFILE

Dimi Light Inc was established in 2014, who has been keeping "ALL-IN" for USA market upon the strategy and positioning as "Your Reliable & One-stop Lighting Supplier by Professional and Local Support."

Upon continues R&D investment, frequent market visit and deep market research, efficient and effective local support, DIMI has built up its good market image as a professional OEM/ODM lighting manufacturer. Both indoor and outdoor fixtures, including commercial lighting products like LED Troffer Lights, Strip Light, Mini Strip Light (troffer retrofit/ ambient fixture), Panel Light, Linear Highbay, Wraparound, Vapor Light, UFO Highbay, Emergency Light... and outdoor fixtures like Wall Pack, Dusk to Dawn, Shoebox, belong to DIMI's business scope.

What's more important, in order to catch cutting-edge technology, DIMI has been keeping a close eye on, and developing intelligent LED commercial lights, lighting control systems (0-10v dimming, Dali system, DMX system, etc.), and DIMI Eco-system based on lot concepts for lighting fixtures will also be released soon to better serve customers in all across North America customers.

DIMI is always open for all OEM/ODM requirements, and welcome all constructive suggestions from customer for win-win cooperation.



CONTENTS

LED EDGE-LIT
PANEL LIGHT
P01-02



LED BACK-LIT
PANEL LIGHT
P03-04



LINEAR
STRIP LIGHT
P05-06



WRAPAROUND
LIGHT
P07-08



WALL PACK
P09-10



UFO HIGHBAY
P11-12



LINEAR HIGHBAY
P13-14



EXTERNAL MINI STRIP LIGHT
TROFFER RETROFIT KITS
P15-16



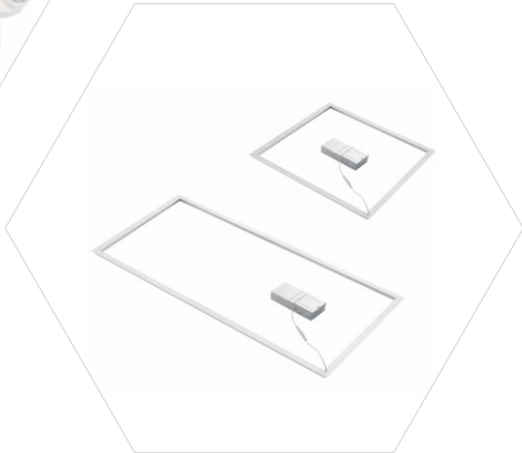
EMERGENCY LIGHT
P17-18



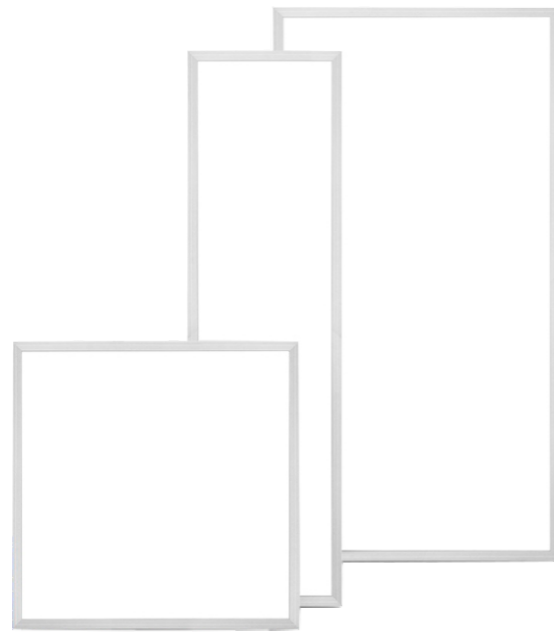
LED CENTER
BASKET TROFFER
P19-20



LED
T-BAR LIGHT
P21-22



LED EDGE-LIT PANEL LIGHT



■ PRODUCT FEATURES



SLIM AND
SOLID DESIGN



NON-YELLOWING
PC DIFFUSER



EMERGENCY BATTERY & MOTION
SENSOR FOR OPTION



ISOLATED
DRIVER

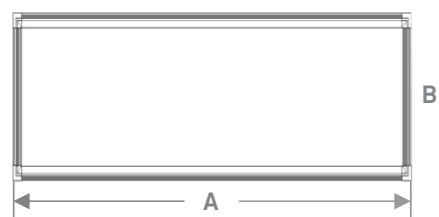


LOW VOLTAGE
PROTECTION

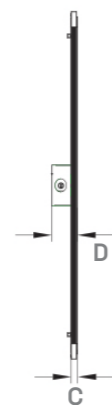


EASY INSTALLATION
LOW MAINTENANCE COST

■ PRODUCT DIMENSION



front view



side view

Part No.	A(inch)	B(inch)	C(inch)	D(inch)
2x2ft	23.74"	23.74"	0.47"	1.97"
1x4ft	47.42"	11.93"	0.47"	1.97"
2x4ft	47.42"	23.74"	0.47"	1.97"

■ PRODUCT DISPLAY



Slim Design



High Quality LEDs and
Non-Yellowing Diffuser



Special Clip for EM Battery

■ PRODUCT ACCESSORIES



Surface Mounted Kit



Suspension Kit



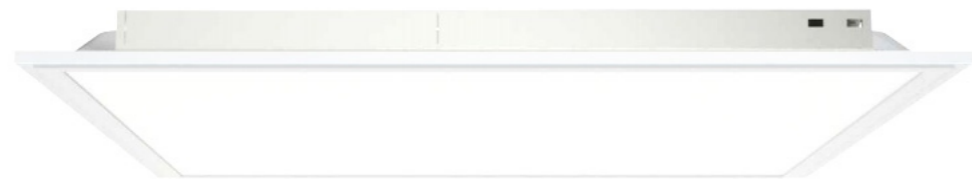
Emergency Battery

■ PRODUCT SPECIFICATION:

Model	Size	Watt	Input	Dimmable	CCT	Lm	Certificate
DM-P72230W-XXK-ZZ	2x2ft	30w	AC100-277V AC200-347V	0-10v	3000K-6500K	3900lm	cETLus & DLC Premium
DM-P72236W-XXK-ZZ	2x2ft	36w	AC100-277V AC200-347V	0-10v	3000K-6500K	4680lm	cETLus & DLC Premium
DM-P71436W-XXK-ZZ	1x4ft	36w	AC100-277V AC200-347V	0-10v	3000K-6500K	4680lm	cETLus & DLC Premium
DM-P72440W-XXK-ZZ	2x4ft	40w	AC100-277V AC200-347V	0-10v	3000K-6500K	5200lm	cETLus & DLC Premium
DM-P72448W-XXK-ZZ	2x4ft	48w	AC100-277V AC200-347V	0-10v	3000K-6500K	6240lm	cETLus & DLC Premium
DM-P72460W-XXK-ZZ	2x4ft	60w	AC100-277V AC200-347V	0-10v	3000K-6500K	7800lm	cETLus & DLC Premium

■ Applications: Corridor, Office, School, Hospital, Library, Public Room, Utility Areas etc

LED BACK-LIT PANEL LIGHT



■ PRODUCT FEATURES



SOLI
STRUCTURE



NON-YELLOWING
PC DIFFUSER



EMERGENCY BATTERY & MOTION
SENSOR FOR OPTION



ISOLATED
DRIVER

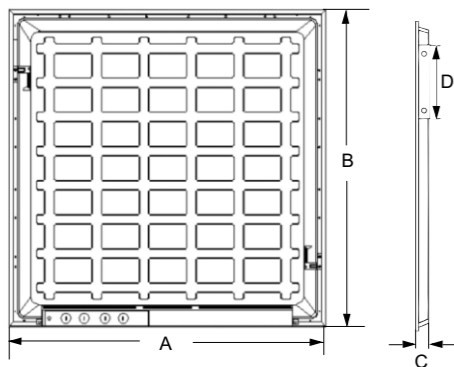


LOW VOLTAGE
PROTECTION



CCT AND WATTAGE
TUNABLE

■ PRODUCT DIMENSION



Part No.	A(inch)	B(inch)	C(inch)	D(inch)
2x2ft	24"	24"	1.38"	15.6"
1x4ft	48"	12"	1.38"	15.6"
2x4ft	48"	24"	1.38"	15.6"

■ PRODUCT DISPLAY



Strengthened Ultra
Lightweight Aluminum Frame



High Quality LEDs and
Non-Yellowing Lens



Wattage and CCT Tunable Through
Driver-Based Dip-Switches

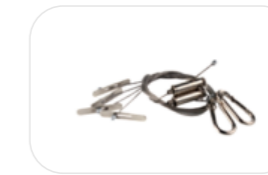
■ PRODUCT ACCESSORIES



Surface Mounted Kit



Emergency Battery



Suspension Kit



Motion Sensor

■ PRODUCT SPECIFICATION:

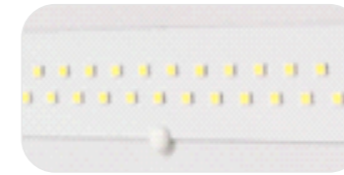
Model	Size	Watt	Input	Dimmable	CCT	LM/W	Certificate
DM-BLP2240 WT-3545K	2x2ft	20/25/30/35/ 40W selectable	AC120-277V	0-10v	3500K/4000K/ 5000K Selectable	130LM/W	cETLus & DLC Premium
DM-BLP1440 WT-3545K	1x4ft	20/25/30/35/ 40W selectable	AC120-277V	0-10v	3500K/4000K/ 5000K Selectable	130LM/W	cETLus & DLC Premium
DM-BLP2450 WT-3545K	2x4ft	25/30/35/40/ 50W selectable	AC120-277V	0-10v	3500K/4000K/ 5000K Selectable	130LM/W	cETLus & DLC Premium

■ **Applications:** Corridor, Office, School, Hospital, Library, Public Room, Utility Areas etc

LINEAR STRIP LIGHT



■ PRODUCT DISPLAY



High Quality LEDs and Aluminum PCB



High-quality polycarbonate Lens



Wattage and CCT Tunable

■ PRODUCT ACCESSORIES



Linkable Connector



Chains for Suspended Installation



Emergency Battery



Junction Box Cover Plate



Controller



Plug-in Microwave Sensor

■ PRODUCT FEATURES



OPEN FIXTURE AND WIRE EASILY



NON-YELLOWING PC LENS



HIGH-DENSITY LEDs FOR UNIFORM LIGHT OUTPUT



CCT AND WATTAGE TUNABLE

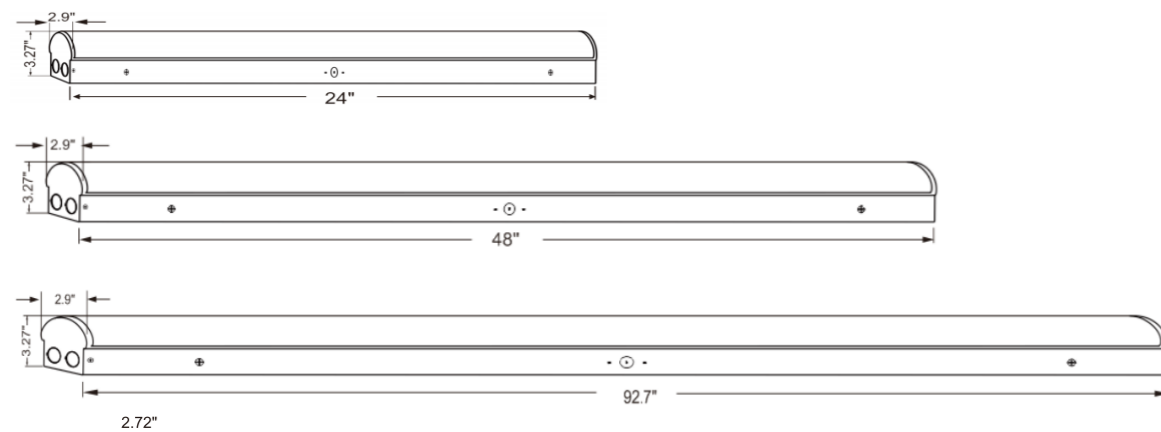


LINKABLE DESIGN



INTERNAL MOTION SENSOR & EM BATTERY

■ PRODUCT DIMENSION



■ PRODUCT SPECIFICATION:

Model	Size	Watt	Input	Dimmable	CCT	Lm	Certificate
DM-ST2FT24WT-3545K-[blank,EM,MS,ES]	2ft	10w/15w/24w	AC100-277V	0-10v	3500K/4000K/5000K switchable	130lm/w	cETLus & DLC Premium
DM-ST4FT40WT-3545K-[blank,EM,MS,ES]	4ft	24w/32w/40w	AC100-277V	0-10v	3500K/4000K/5000K switchable	130lm/w	cETLus & DLC Premium
DM-ST8FT64WT-3545K-[blank,EM,MS,ES]	8ft	40w/50w/64w	AC100-277V	0-10v	3500K/4000K/5000K switchable	130lm/w	cETLus & DLC Premium
DM-ST8FT90WT-3545K-[blank,EM,MS,ES]	8ft	64w/75w/90w	AC100-277V	0-10v	3500K/4000K/5000K switchable	130lm/w	cETLus & DLC Premium

■ Applications: Corridor, Office, School, Hospital, Library, Public Room, Utility Areas etc

WRAPAROUND LIGHT



PRODUCT FEATURES



BETTER HEAT DISSIPATION



PMMA LENS



HIGH-DENSITY LEDs FOR UNIFORM LIGHT OUTPUT



ISOLATED DRIVER

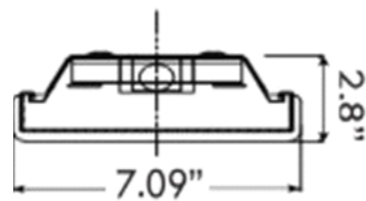
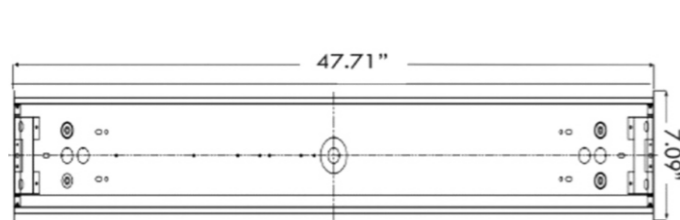


INTERNAL EM BATTERY



INTERNAL MOTION SENSOR

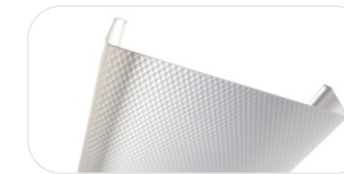
PRODUCT DIMENSION



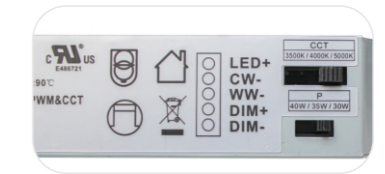
PRODUCT DISPLAY



White Junction Box



PMMA Lens



Wattage and CCT Tunable

PRODUCT ACCESSORIES



Suspended Installation



Emergency Battery



Motion Sensor

PRODUCT SPECIFICATION:

Model	Size	Watt	Input	Dimmable	CCT	Lm	Certificate
DM-WR-2FT-36W	2ft	36w	AC120-277V	0-10v	3000K-5000K	3960/4680lm	cETLus & DLC Premium
DM-WR-4FT-36W	4ft	36w	AC120-277V	0-10v	3000K-5000K	3960/4680lm	cETLus & DLC Premium
DM-WR-6FT-72W	6ft	72w	AC120-277V	0-10v	3000K-5000K	7290/9360lm	cETLus & DLC Premium
DM-WR-8FT-96W	8ft	96w	AC120-277V	0-10v	3000K-5000K	10560/12480lm	cETLus & DLC Premium
DM-WR4FT3035 40W-3545K	4ft	30w/ 35w/ 40w	AC120-277V	0-10v	3500/4000/ 5000k switchable	3900lm 4550lm 6500lm	cETLus & DLC Premium

Applications: Corridor, Office, School, Hospital, Library, Public Room, Utility Areas etc



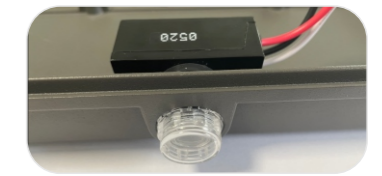
■ PRODUCT DISPLAY



Anti-yellow Glass Cover



Silicone Ring Can be Waterproof



Button Type Photocell

■ PRODUCT FEATURES



SOLID
STRUCTURE



GLASS COVER HIDDEN
SCREW DESIGN



EMERGENCY BATTERY & MOTION
SENSOR FOR OPTION



CCT AND WATTAGE
TUNABLE

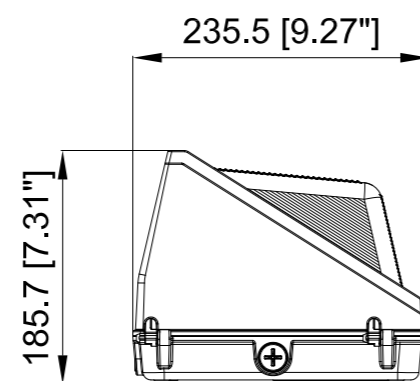
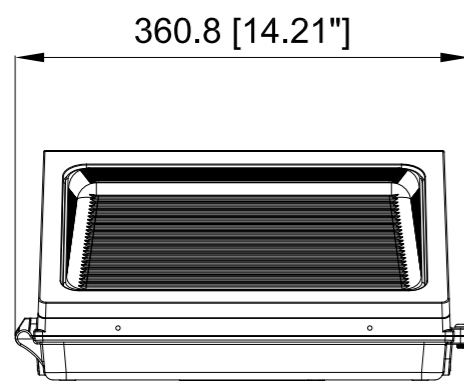


EXCELLENT THERMAL
MANAGEMENT SYSTEM



WATERPROOF

■ PRODUCT DIMENSION



■ PRODUCT ACCESSORIES



Wire Guard



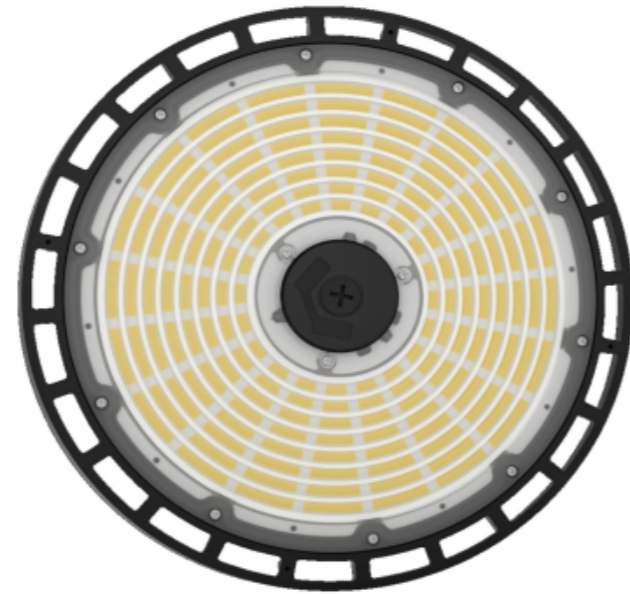
Photocell

■ PRODUCT SPECIFICATION:

Model	Watt	Input	Dimmable	CCT	LM/W	Certificate
DM-WP45/60/80W-3545K-A	45W/60W/80W switchable	AC120-277V	0-10v	3500/4000/5000k switchable	140LM/W	cETLus & DLC Premium
DM-WP60/80/100W-3545K-A	60W/80W/100W switchable	AC120-277V	0-10v	3500/4000/5000k switchable	140LM/W	cETLus & DLC Premium
DM-WP80/100/120W-3545K-A	80W/100W/120W switchable	AC120-277V	0-10v	3500/4000/5000k switchable	140LM/W	cETLus & DLC Premium

■ **Applications:** Building facade , Carports , Loading areas, Driveways, Parking areas

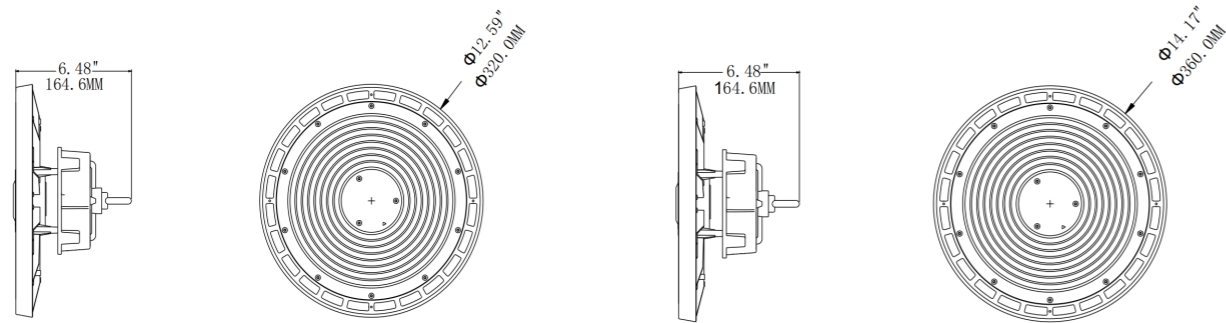
UFO HIGHBAY



PRODUCT FEATURES

- SOLID STRUCTURE
- HIGH QUALITY ALUMINIUM DIE CASTING
- EMERGENCY BATTERY & MOTION SENSOR FOR OPTION
- ISOLATED DRIVER
- LOW VOLTAGE PROTECTION
- LOW LIGHT DECAY AND LONGER LIFESPAN

PRODUCT DIMENSION



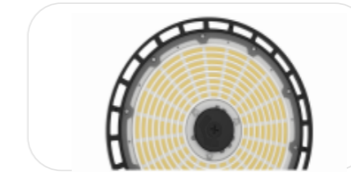
Small Size

Large Size

PRODUCT DISPLAY



Better Heat Dissipation



Easy for Screw-in Sensor

PRODUCT ACCESSORIES



EM Battery



Microwave Sensor



60° Anti-Glare PC Reflector



U Bracke kit



Controller



Us Hook

PRODUCT SPECIFICATION:

Model	Watt	Input	Dimmable	CCT	Lm	Efficacy
DM-UF80/100/150W-BNN45	80W/100W/150W switchable	AC100-277V	0-10v	4000K/5000K switchable	12800Lm 16000Lm 24000Lm	160Lm/W
DM-UF150/200/240W-BNN45	150W/200W/240W switchable	AC100-277V	0-10v	4000K/5000K switchable	24000Lm 32000Lm 38400Lm	160Lm/W

Applications: Factory, workshop, warehouse, commercial shop, garage, airport, workshop

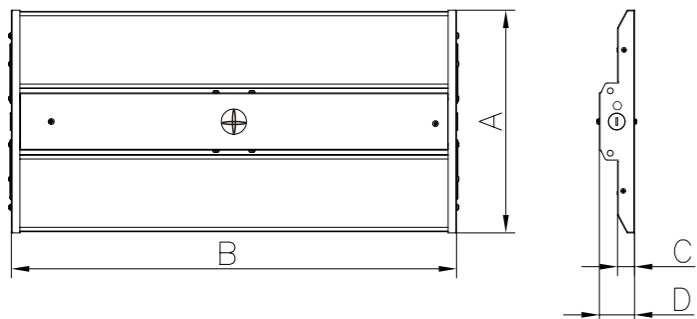
LINEAR HIGHBAY



■ PRODUCT FEATURES

-  MAXIMIZED HEAT DISSIPATION
-  HIGH QUALITY ISOLATED DRIVER
-  DURABLE AND PROTECTING
-  SUSPENDED, PENDENT OR SURFACE MOUNTING
-  LOW VOLTAGE PROTECTION
-  CCT TUNABLE

■ PRODUCT DIMENSION



Part No.	A(inch)	B(inch)	C(inch)	D(inch)
2ft	15"	25"	1.3"	2.17"
4ft	15"	46.5"	1.3"	2.17"

■ PRODUCT DISPLAY



Multiple Installation Ways



CCT Tunable



High Quality Driver

■ PRODUCT ACCESSORIES



Suspension Installation



Bi-level Microwave Sensor



Emergency Battery



Wire Guard

■ PRODUCT SPECIFICATION:

Model	Size	Watt	Input	Dimmable	CCT	Lumen	Certificate
DM-HB2FT130WT-3545K	2ft	80W/110W/130W switchable	AC120-277V	0-10V	3500/4000/5000k switchable	10400Lm-16900Lm	cETLus & DLC Premium
DM-HB2FT170WT-3545K	2ft	130W/160W/170W switchable	AC120-277V	0-10V	3500/4000/5000k switchable	16900Lm-22100Lm	cETLus & DLC Premium
DM-HB4FT300WT-3545K	4ft	160W/255W/300W switchable	AC120-277V	0-10V	3500/4000/5000k switchable	20800Lm-39000Lm	cETLus & DLC Premium
DM-HB4FT400WT-3545K	4ft	255W/300W/400W switchable	AC120-277V	0-10V	3500/4000/5000k switchable	33150Lm-52000Lm	cETLus & DLC Premium

■ **Applications:** Factory, workshop, warehouse, commercial shop, garage, airport, workshop

EXTERNAL MINI STRIP LIGHT TROFFER RETROFIT KITS



■ PRODUCT DISPLAY



Unique Design



Multiple linkable

■ PRODUCT ACCESSORIES



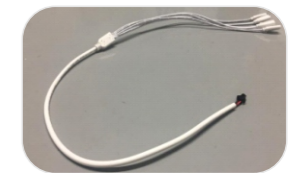
Standard Accessory



Magnetic Buckle



External Driver



Connect Cable

■ PRODUCT FEATURES



UNIQUE DESIGN



EASY INSTALLATION



ENVIRONMENTAL PROTECTING



LINKABLE

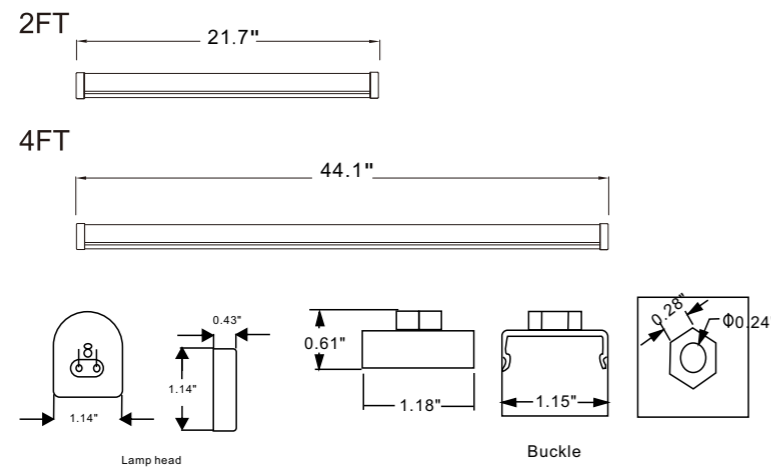


LOW VOLTAGE PROTECTION



ULTRA BRIGHT LED LAMP

■ PRODUCT DIMENSION



■ PRODUCT SPECIFICATION:

Model	Size	Watt	Input	Dimmable	CCT	LM/W	Certificate
DM-STMN2FT7W-XXX-ZZ	2ft	7w	AC100-277V	0-10v	3000K-5000K	160LM/W	cETLus & DLC Premium
DM-STMN4FT9W-XXX-ZZ	4ft	9w	AC100-277V	0-10v	3000K-5000K	160LM/W	cETLus & DLC Premium
DM-STMN4FT12W-XXX-ZZ	4ft	12w	AC100-277V	0-10v	3000K-5000K	160LM/W	cETLus & DLC Premium
DM-STMN2FT7W--1-7W-XXK	2ft	7w	AC100-277V	0-10v	3000K-5000K	160LM/W	cETLus & DLC Premium
DM-STMN2FT7W--2-14W-XXK	2ft	14w	AC100-277V	0-10v	3000K-5000K	160LM/W	cETLus & DLC Premium
DM-STMN2FT7W--3-21W-XXK	2ft	21w	AC100-277V	0-10v	3000K-5000K	160LM/W	cETLus & DLC Premium
DM-STMN2FT7W--4-28W-XXK	2ft	28w	AC100-277V	0-10v	3000K-5000K	160LM/W	cETLus & DLC Premium
DM-STMN4FT9W--1-9W-XXK	4ft	9w	AC100-277V	0-10v	3000K-5000K	160LM/W	cETLus & DLC Premium
DM-STMN4FT9W--2-18W-XXK	4ft	18w	AC100-277V	0-10v	3000K-5000K	160LM/W	cETLus & DLC Premium
DM-STMN4FT9W--3-27W-XXK	4ft	27w	AC100-277V	0-10v	3000K-5000K	160LM/W	cETLus & DLC Premium
DM-STMN4FT9W--4-36W-XXK	4ft	36w	AC100-277V	0-10v	3000K-5000K	160LM/W	cETLus & DLC Premium
DM-STMN4FT12W--1-12W-XXK	4ft	12w	AC100-277V	0-10v	3000K-5000K	160LM/W	cETLus & DLC Premium
DM-STMN4FT12W--2-24W-XXK	4ft	24w	AC100-277V	0-10v	3000K-5000K	160LM/W	cETLus & DLC Premium
DM-STMN4FT12W--3-36W-XXK	4ft	36w	AC100-277V	0-10v	3000K-5000K	160LM/W	cETLus & DLC Premium
DM-STMN4FT12W--4-48W-XXK	4ft	48w	AC100-277V	0-10v	3000K-5000K	160LM/W	cETLus & DLC Premium

■ Applications: Corridor, Office, School, Hospital, Library, Public Room, Utility Areas etc

EMERGENCY LIGHT



EM-110

Double Head Lights



EM-114

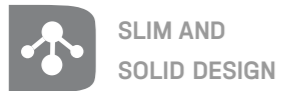
EXIT SIGN



EM-119

COMBO LIGHT

■ PRODUCT FEATURES



SLIM AND SOLID DESIGN



UNIVERSAL MOUNTING CAPABILITIES



FIRE-RESISTANT



EMERGENCY LIGHT BUILT-IN

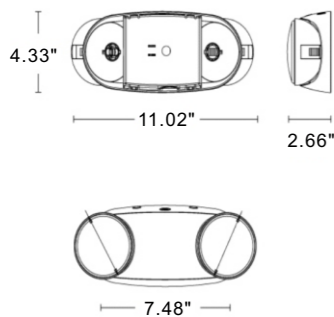


ABS INJECTION-MOLDED THERMOPLASTIC ABS HOUSING

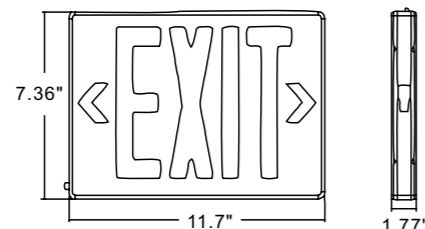


UNIFORM LIGHT OUTPUT

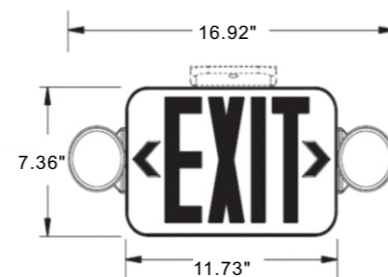
■ PRODUCT DIMENSION



EM-110



EM-114



EM-119

■ PRODUCT DISPLAY



High Impact Thermoplastic Housing



Multi-Angle Rotation

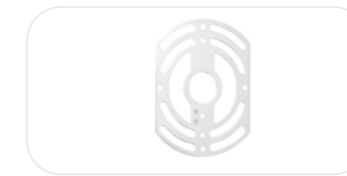


Test Switch and Charge Indicator

■ PRODUCT ACCESSORIES



Screw and Cap



Mounting Fixing Hardware

■ PRODUCT SPECIFICATION:







Model	Watt	Input	Certificate
DM-EM110	4w	AC120V-277V	cETLus
DM-EM114	5w	AC120V/277V	cETLus
DM-EM119	5w	AC120V/277V	cETLus

■ **Applications:** Stairways, hallways, doorways, isles, restaurant, office building, warehouses

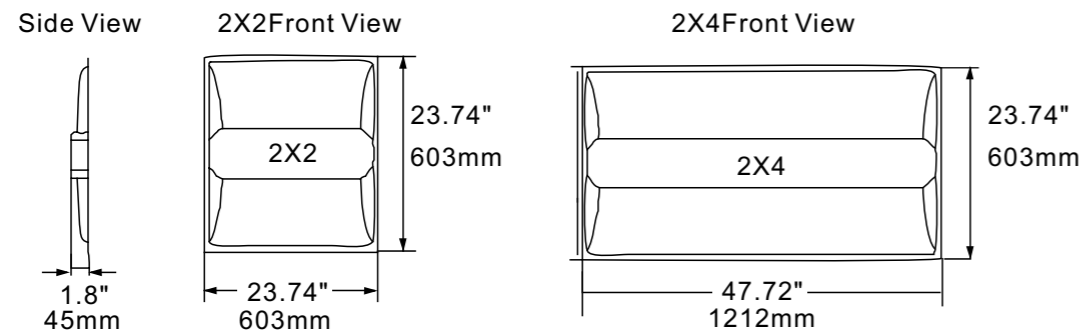
LED CENTER BASKET TROFFER



PRODUCT FEATURES

-  **COMBINED DESIGN EASY TO INSTALLATION**
-  **CCT AND WATTAGE TUNABLE**
-  **ALUMINUM STRUCTURE BETTER HEAT DISSIPATION**
-  **HIGH EFFICIENCY ISOLATED LED DRIVER**
-  **LOW VOLTAGE PROTECTION**
-  **EMERGENCY BATTERY & MOTION SENSOR FOR OPTION**

PRODUCT DIMENSION



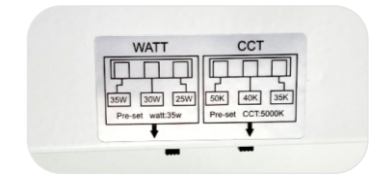
PRODUCT DISPLAY



Built-In Seismic Hooks



PC Lens has High Light Transmittance



Wattage and CCT Tunable Through Driver-Based Dip-Switches

PRODUCT ACCESSORIES



Surface Mounted Kit



Motion Sensor



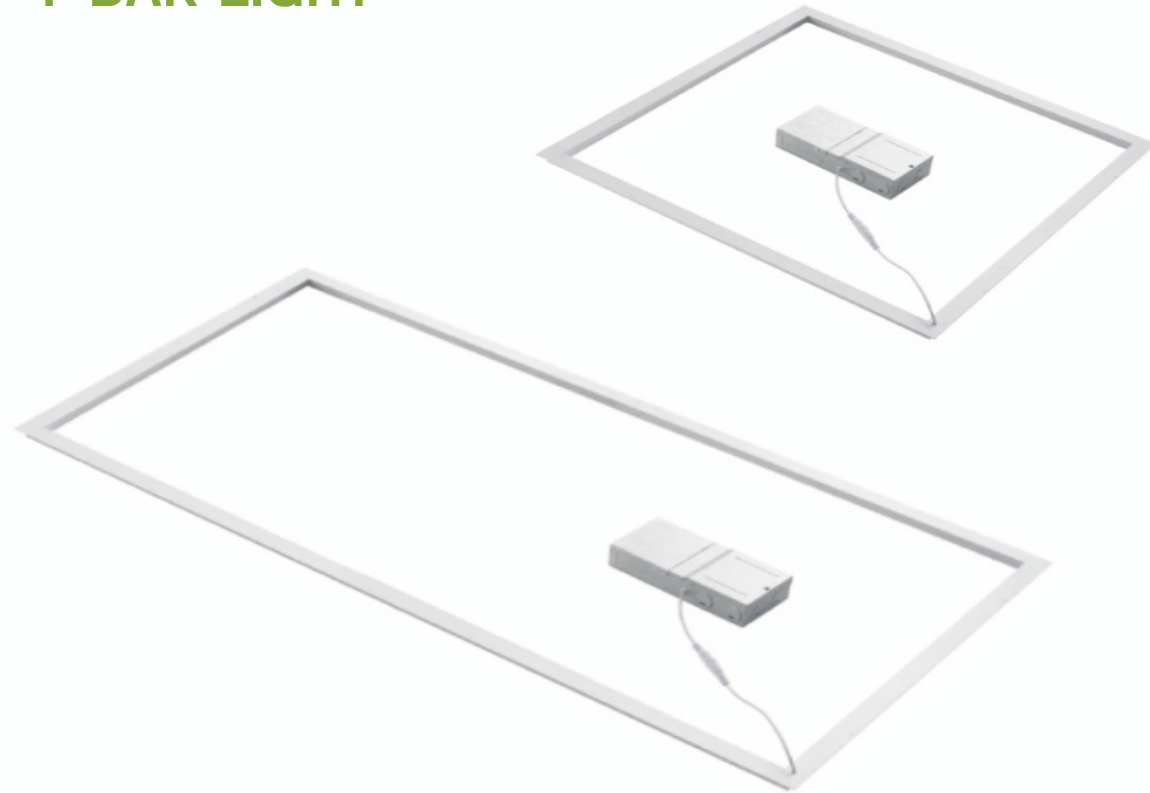
Emergency Battery

PRODUCT SPECIFICATION:

Model	Size	Watt	Input	Dimmable	CCT	Lm	Certificate
DM-TR22W5-S4	2x2ft	20W/25W/30W/35W/40W Switchable	AC100-277V	0-10V	3000K/3500K/4000K/5000K Switchable	2600lm-5625lm	cETLus & DLC Premium
DM-TR24W5-S4	2x4ft	25W/30W/35W/40W/50W Switchable	AC100-277V	0-10V	3000K/3500K/4000K/5000K Switchable	3250lm-6500lm	cETLus & DLC Premium
DM-TR92235W-35K/40K/50K-Z	2x2ft	25w/30w/35w Switchable	AC100-277V	0-10V	3000K/4000K/5000K Switchable	3250lm-4550lm	cETLus & DLC Premium
DM-TR92450W-35K/40K/50K-Z	2x4ft	40W/45W/50W Switchable	AC100-277V	0-10V	3500K/4000K/5000K Switchable	5200m-6500lm	cETLus & DLC Premium

Applications: Corridor, Office, School, Hospital, Library, Public Room, Utility Areas etc

LED T-BAR LIGHT



■ PRODUCT FEATURES



SLIM AND SOLID DESIGN



ALUMINUM MATERIAL FRAME BETTER HEAT DISSIPATION



EMERGENCY BATTERY & MOTION SENSOR FOR OPTION



CCT AND WATTAGE TUNABLE

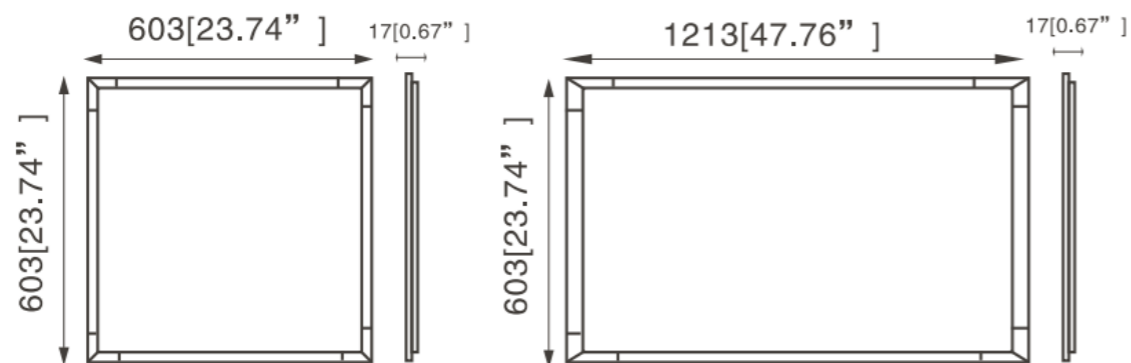


HIGH EFFICIENCY ISOLATED LED DRIVER



UNIQUE DESIGN TO SAVE PACKING SPACE

■ PRODUCT DIMENSION



PRODUCT DISPLAY



Combined Design To Reduce Packing Space



Wattage & CCT Tunable Through DRIVER-BASED DIP-SWITCHES



Seamless Light Output

■ PRODUCT ACCESSORIES



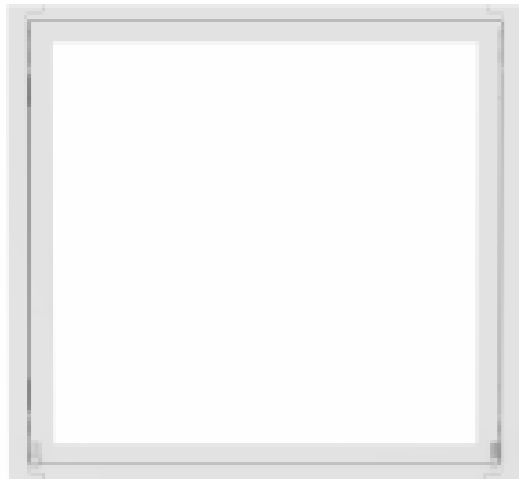
Chains for Suspended Installtion

■ PRODUCT SPECIFICATION:

Model	Size	Watt	Input	Dimmable	CCT	Lm	Certificate
DM-TB2240 WT-3545K	2x2ft	30w/35w/40w switchable	AC120-277V	0-10v	3500K/4000K/5000K switchble	125lm/w	cETLus & DLC Premium
DM-TB2455 WT-3545K	2x4ft	45w/50w/55w switchable	AC120-277V	0-10v	3500K/4000K/5000K switchble	125lm/w	cETLus & DLC Premium

■ Applications: Corridor, Office ,School, Hospital, Library, Public Room ,Utility Areas etc

BACK-LIT PANEL RETROFIT KIT



PRODUCT FEATURES

- SOLID STRUCTURE
- NON-YELLOWING PC DIFFUSER
- HIGH-DENSITY LEDs FOR UNIFORM LIGHT OUTPUT
- ISOLATED DRIVER
- LOW VOLTAGE PROTECTION
- CCT AND WATTAGE TUNABLE

PRODUCT ACCESSORIES



Installation Kits



Emergency Battery

PRODUCT SPECIFICATION:

Model	Size	Watt	Input	Dimmable	CCT	LM/W	Certificate
DM-RTBP145 W-ZZ	2x2ft	20/25/30/35/40W selectable	AC120-277V	0-10v	3500K/4000K/5000K Selectable	130LM/W	cETLus & DLC Premium
DM-RTBP225 W-ZZ	1x4ft	20/25/30/35/40W selectable	AC120-277V	0-10v	3500K/4000K/5000K Selectable	130LM/W	cETLus & DLC Premium
DM-RTBP245 W-ZZ	2x4ft	25/30/35/40/50W selectable	AC120-277V	0-10v	3500K/4000K/5000K Selectable	130LM/W	cETLus & DLC Premium

LED TROFFER RETROFIT KIT



PRODUCT FEATURES

- SOLID STRUCTURE
- EM BATTERY & MOTION SENSOR FOR OPTION
- HIGH-DENSITY LEDs FOR UNIFORM LIGHT OUTPUT
- ISOLATED DRIVER
- LOW LIGHT DECAY AND LONGER LIFESPAN
- CCT AND WATTAGE TUNABLE

PRODUCT ACCESSORIES



Installation Kits



Emergency Battery

PRODUCT SPECIFICATION:

Model	Size	Watt	Input	Dimmable	CCT	LM/W	Certificate
DM-TRK22W5 -S4	2x2ft	20/25/30/35/40W selectable	AC120-277V	0-10v	3000K/3500K/4000K/5000K Selectable	130LM/W	cETLus & DLC Premium
DM-TRK14W5 -S4	1x4ft	20/25/30/35/40W selectable	AC120-277V	0-10v	3000K/3500K/4000K/5000K Selectable	130LM/W	cETLus & DLC Premium
DM-TRK24W5 -S4	2x4ft	25/30/35/40/50W selectable	AC120-277V	0-10v	3000K/3500K/4000K/5000K Selectable	130LM/W	cETLus & DLC Premium

UFO HIGHBAY



PRODUCT FEATURES

- SOLID STRUCTURE
- HIGH QUALITY ALUMINIUM DIE CASTING
- EMERGENCY BATTERY & MOTION SENSOR FOR OPTION
- ISOLATED DRIVER
- LOW LIGHT DECAY AND LONGER LIFESPAN
- CCT AND WATTAGE TUNABLE

PRODUCT ACCESSORIES



PRODUCT SPECIFICATION:

Model	Watt	Input	Dimmable	CCT	Lm	Certificate
DM-UF80/100/150W-BNN45	80W/100W/150W switchable	AC120-277V	0-10v	4000K/5000K switchable	160Lm/W	cETLus & DLC Premium
DM-UF150/200/240W-BNN45	150W/200W/240W switchable	AC120-277V	0-10v	4000K/5000K switchable	160Lm/W	cETLus & DLC Premium

DOUBLE RING SURFACE MOUNT CEILING LIGHT



PRODUCT FEATURES

- SOLID STRUCTURE
- 80% MORE ENERGY SAVING THAN HALOGEN LAMPS
- EMERGENCY BATTERY & MOTION SENSOR FOR OPTION
- HIGH EFFICIENCY LED DRIVER
- COMPATIBLE WITH MOST TRIAC DIMMERS
- EASY FOR SURFACE MOUNTED INSTALLATION

PRODUCT ACCESSORIES



PRODUCT SPECIFICATION:

Model	Size	Watt	Input	Dimmable	CCT	Lm	Certificate
DM-CL12IN16W-5CCT	12in	16W	120V	Triac Dimming	2700K/3000K/3500k/4000k/5000k switchable	70Lm/W	cETLus
DM-CL14IN20W-5CCT	14in	20W	120V	Triac Dimming	2700K/3000K/3500k/4000k/5000k switchable	70Lm/W	cETLus
DM-CL16IN24W-5CCT	16in	24W	120V	Triac Dimming	2700K/3000K/3500k/4000k/5000k switchable	70Lm/W	cETLus

VAPOR TIGHT



PRODUCT FEATURES

- SOLID STRUCTURE
- EXCELLENT HEAT DISSIPATION
- EMERGENCY BATTERY & MOTION SENSOR FOR OPTION
- CCT AND WATTAGE TUNABLE
- HIGH-DENSITY LEDs FOR UNIFORM LIGHT OUTPUT
- LOW LIGHT DECAY AND LONGER LIFESPAN

PRODUCT ACCESSORIES



Surface mounting kits



Suspension kits

PRODUCT SPECIFICATION

Model	Size	Watt	Input	Dimmable	CCT	Lm	Efficacy
DM-VP4FT12/24/32W-40/50/60K	4FT	12W/24W/32W switchable	AC120-277V	0-10V	4000K/5000K / 6000K switchable	1800LM 3600LM 4800LM	150Lm/W
DM-VP8FT24/40/55W-40/50/60K	8FT	24W/40W/55W switchable	AC120-277V	0-10V	4000K/5000K / 6000K switchable	3600LM 6000LM 8250LM	150Lm/W

LINEAR STRIP LIGHT



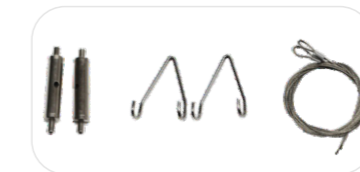
PRODUCT FEATURES

- OPEN FIXTURE AND WIRE EASILY
- NON-YELLOWING PC LENS
- HIGH-DENSITY LEDs FOR UNIFORM LIGHT OUTPUT
- CCT AND WATTAGE TUNABLE
- LINKABLE DESIGN
- MOTION SENSOR & EM BATTERY FOR OPTION

PRODUCT ACCESSORIES



Linkable Connector



Chains for Suspended Installation



Emergency Battery



Junction Box Cover Plate



Controller



Plug-in Microwave Sensor

PRODUCT SPECIFICATION:

Model	Size	Watt	Input	Dimmable	CCT	Lm	Certificate
DM-ST2FT24WT-3545K -[blank,EM,MS,ES]	2ft	10w/15w/24w	AC100-277V	0-10v	3500K/4000K / 5000K switchable	130lm/w	cETLus & DLC Premium
DM-ST4FT40WT-3545K -[blank,EM,MS,ES]	4ft	24w/32w/40w	AC100-277V	0-10v	3500K/4000K / 5000K switchable	130lm/w	cETLus & DLC Premium
DM-ST8FT64WT-3545K -[blank,EM,MS,ES]	8ft	40w/50w/64w	AC100-277V	0-10v	3500K/4000K / 5000K switchable	130lm/w	cETLus & DLC Premium
DM-ST8FT90WT-3545K -[blank,EM,MS,ES]	8ft	64w/75w/90w	AC100-277V	0-10v	3500K/4000K / 5000K switchable	130lm/w	cETLus & DLC Premium

VAPOR TIGHT



■ PRODUCT FEATURES

- SOLID STRUCTURE
- EXCELLENT HEAT DISSIPATION
- EMERGENCY BATTERY & MOTION SENSOR FOR OPTION
- CCT AND WATTAGE TUNABLE
- HIGH-DENSITY LEDs FOR UNIFORM LIGHT OUTPUT
- LOW LIGHT DECAY AND LONGER LIFESPAN

■ PRODUCT ACCESSORIES



Surface mounting kits



Suspension kits

■ PRODUCT SPECIFICATION:

Model	Size	Watt	Input	Dimmable	CCT	Lm	Certificate
DM-VT2FT25WT-3545k	2ft	15W/20W/25W switchable	AC120-277V	0-10v	3500K/4000K/5000K switchable	140lm/w	cETLus & DLC Premium
DM-VT4FT35WT-3545k	4ft	22W/27W/35W switchable	AC120-277V	0-10v	3500K/4000K/5000K switchable	140lm/w	cETLus & DLC Premium
DM-VT5FT46WT-3545k	5ft	30W/36W/46W switchable	AC120-277V	0-10v	3500K/4000K/5000K switchable	140lm/w	cETLus & DLC Premium
DM-VT8FT90WT-3545k	8ft	55W/65W/75W/90W switchable	AC120-277V	0-10v	3500K/4000K/5000K switchable	140lm/w	cETLus & DLC Premium

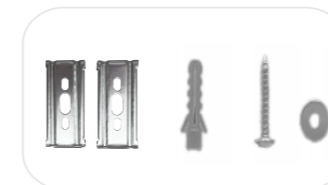
VAPOR TIGHT



■ PRODUCT FEATURES

- SOLID STRUCTURE
- EXCELLENT HEAT DISSIPATION
- EMERGENCY BATTERY & MOTION SENSOR FOR OPTION
- CCT AND WATTAGE TUNABLE
- HIGH-DENSITY LEDs FOR UNIFORM LIGHT OUTPUT
- LOW LIGHT DECAY AND LONGER LIFESPAN

■ PRODUCT ACCESSORIES



Installation Kits

■ PRODUCT SPECIFICATION:

Model	Size	Watt	Input	Dimmable	CCT	LM/W	Certificate
DM-TL100W-3065k	4ft	75/100/150/180/210WT	AC100-277W	0-10v	3500K/4000K/5000K Switchable	125LM/W	cETLus & DLC Premium