

■ ADVANTAGE

- Wattage switchable :
10W/15W/24W (2ft) 24W/32W/40W (4ft)
40W/50W/64W (8ft) 64W/75W/90W (8ft)
- CCT switchable: 3500K/4000K/5000K
- Input voltage: AC100-277V
- Lumen : 130lm/W
- PF > 0.90 , CRI > 80
- DLC 5.1 premium & ETL certification
- 5 years warranty
- Application: corridor, office, school, hospital, library, public room, utility areas etc



■ DETAILS

Features

- Easy to open the strip light for quick installation.
- Non-Yellow PC Lens.
- High-quality LEDs, provide bright and uniform lighting.
- High efficiency aluminum PCB to assure lifespan longer.
- Compatible with standard 0-10V dimmer.
- Linkable design for continuous row mount.
- Transparent end cap to make light without shadow when continuous row installation.
- Wattage & CCT switchable through DIP-switches.

Installations

- Suspend the strip light by using suspension wire.
- Surface mounted.
- Continuous row installation.

Certifications

- DLC premium.
- Comply with the requirements of the Standard(s) for Luminaires (CAN/CSA-C22.2 No. 250.0) and are identified with the cETL Listed Mark.

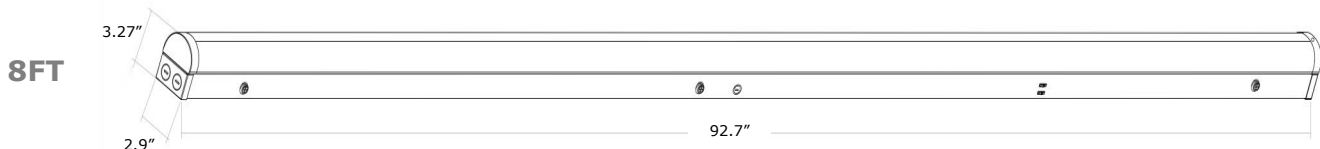
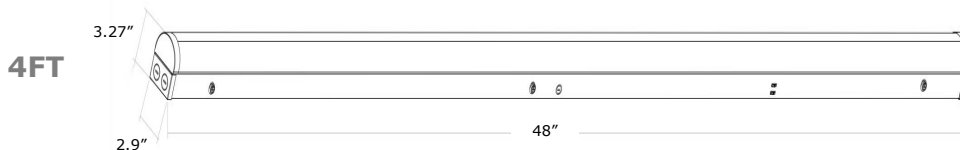
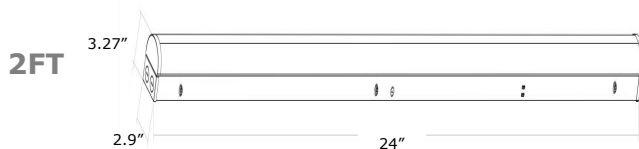
Accessories

- Emergency battery , motion sensor, surface mounted kits for option.

Warranty

- All products from DIMI LIGHT are guaranteed with 5 years' warranty.
- See Warranty policy from Dimi light for additional information.

■ DIMENSIONS



SPECIFICATION

	MODEL	SIZE	WATT	CCT	LUMEN	EFFICACY
<input type="checkbox"/>	DM-ST2FT24WT-3545K-[blank,EM,MS,ES]	2ft	10W/15W/24W switchable	3500K/4000K/5000K switchable	3120Lm	130Lm/W
<input type="checkbox"/>	DM-ST4FT40WT-3545K-[blank,EM,MS,ES]	4ft	24W/32W/40W switchable	3500K/4000K/5000K switchable	5200Lm	130Lm/W
<input type="checkbox"/>	DM-ST8FT64WT-3545K-[blank,EM,MS,ES]	8ft	40W/50W/64W switchable	3500K/4000K/5000K switchable	8320Lm	130Lm/W
<input type="checkbox"/>	DM-ST8FT90WT-3545K-[blank,EM,MS,ES]	8ft	64W/75W/90W switchable	3500K/4000K/5000K switchable	11700Lm	130Lm/W

ACCESSORIES

- | | | |
|---------------------------------------------------|-------------------------------------------------------|---------------------------------------------------|
| <input type="checkbox"/> Emergency Battery | <input type="checkbox"/> Remote Controller | <input type="checkbox"/> Junction Box Cover Plate |
| <input type="checkbox"/> Plug-in Microwave Sensor | <input type="checkbox"/> Microwave & Bluetooth Sensor | <input type="checkbox"/> Linkable Connector |



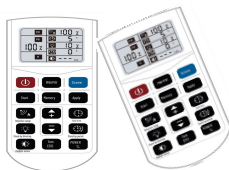
Curved Plug-in Microwave Sensor

- DIMM patent product
- Curved design special for strip light
- Detection Distance: $\geq 3m/9ft$
- Tiny Microwave Sensor with/out Bluetooth-Mesh
- Audio-Jack Classic Connection, 0-10V Dimming, with Daylight Harvesting



Internal Emergency Battery

- UL listed approved
- Emergency power: 8W
- Charging time: 24 hours
- Illumination time: 90 minutes



Remote Controller

- LCD screen display
- Memory and apply function
- Universal smart controller for dimmable sensor



Junction Box Cover Plate

- To cover the ceiling hole
- Color: White electrical box cover



Linkable Connector

- For continuous row installation
- Color: White steel



Suspension Kit

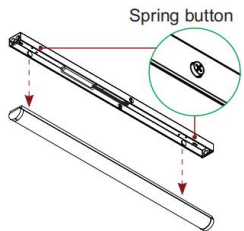
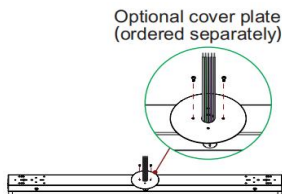
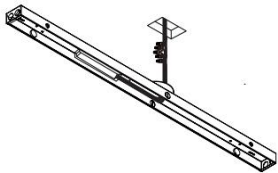
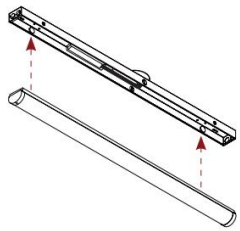
- For suspend the strip light
- Material: stainless steel

PACKING INFO

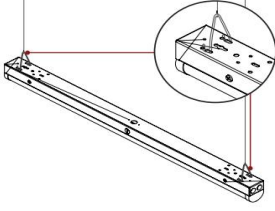
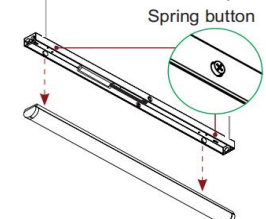
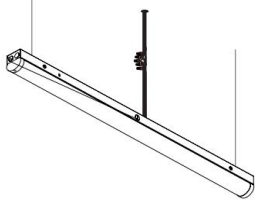
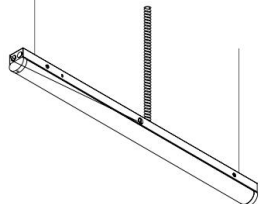
SIZE	4PCS/CARTON			CONTAINER		
	DIMENSION(INCH)	N.W(LBS)	G.W(LBS)	20'GP(PCS)	40'GP(PCS)	40HQ(PCS)
2ft	25.61"x7.80"x7.92"	8.82	11.02	4330	8968	10514
4ft	50.79"x7.48"x7.87"	16.53	18.08	2284	4732	5548
8ft	98.43"x7.91"x7.87"	35.27	39.68	1114	2308	2706

INSTALLATIONS

Surface mounted

 <p>Step 1: Install appropriate anchors into the ceiling or wall, if needed. Pinch spring buttons to remove the lens.</p>	 <p>Step 2: Optional junction box cover plate may be used.</p>	 <p>Step 3: Route power cord through cover plate and wire accordingly with wire nuts inside junction box.</p>	 <p>Step 4: Replace the lens by pushing upward and secure with spring buttons.</p>
--------------------------------------------------------------------------------------------------------------------------------------------------------------------------------------------------------------------	---------------------------------------------------------------------------------------------------------------------------------------------------------	---------------------------------------------------------------------------------------------------------------------------------------------------------------------------------------------------------	-------------------------------------------------------------------------------------------------------------------------------------------------------------------------------

Chain installation

 <p>Step 1: Attach aircraft cable to each hook and insert hooks into the mounting holes.</p>	 <p>Step 2: Pinch spring buttons to remove the lens and connect wire (if needed) Route power cord and wire according to wire nuts inside junction box.</p>	 <p>Step 3: Attach the aircraft cable to the ceiling and adjust lengths until luminaire is level and secure.</p>	 <p>Step 4: Installation is completed.</p>
----------------------------------------------------------------------------------------------------------------------------------------------------------------------------------------	------------------------------------------------------------------------------------------------------------------------------------------------------------------------------------------------------------------------------------------------------	-------------------------------------------------------------------------------------------------------------------------------------------------------------------------------------------------------------	----------------------------------------------------------------------------------------------------------------------------------------

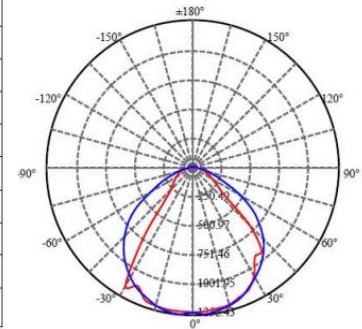
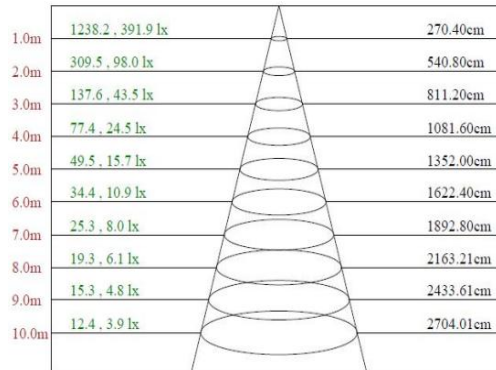
APPLICATIONS



PHOTOMETRIC DATA

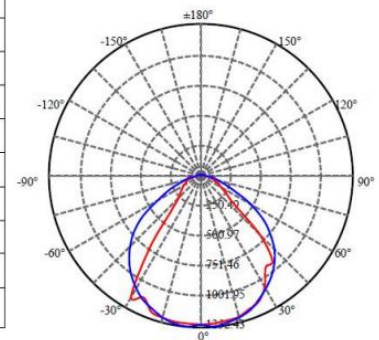
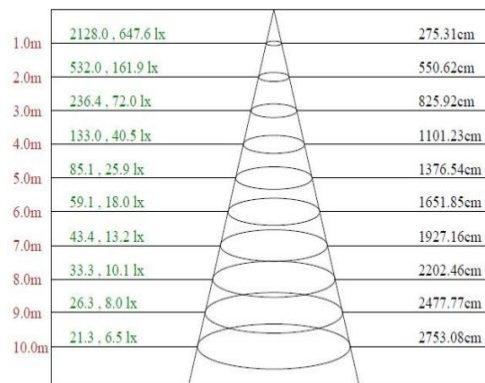
DM-ST2FT24WT-3545K

Minimum Watt	10W
Maximum Watt	24W
PF	0.92
CRI	83
THD	10.9%
Lumen	3120 Lm
Efficacy (AC)	130 Lm/W
Minimum CCT	3500K
Maximum CCT	5000K
Voltage Range	100-277V



DM-ST4FT40WT-3545K

Minimum Watt	24W
Maximum Watt	40W
PF	0.98
CRI	84
THD	13.1%
Lumen	5200 Lm
Efficacy (AC)	130lm/W
Minimum CCT	3500K
Maximum CCT	5000K
Voltage Range	100-277V



DM-ST8FT90WT-3545K

Minimum Watt	64W
Maximum Watt	90W
PF	0.973
CRI	84
THD	11.8%
Flux	11700Lm
Efficacy (AC)	130lm/W
Minimum CCT	3500K
Maximum CCT	5000K
Voltage Range	100-277V

