

■ ADVANTAGE

- Wattage switchable : 15W/20W/24W (2ft)
30W/35W/40W (4ft) 64W/75W/90W (8ft)
- CCT switchable: 3500K/4000K/5000K
- 0-10 V dimmable
- CRI >80, PF >0.9
- Input voltage: AC100-277V
- Lumen: 135Lm/W
- Long lifespan and reliable
- DLC 5.1 premium & ETL certified



■ DETAILS

Features

- Outstanding thermal solution to support better heat dissipation.
- PMMA Lens to maximize light output and distribution.
- High-density LEDs for uniform light output.
- Wattage and CCT switchable through dip-switches.

Installations

- Suspend the wraparound light by using suspension wire.
- Can be surface mounted to walls and ceilings.

Application

- perfect for garages, office, workshops, utility rooms, storage rooms, equipment rooms, etc.

Certifications

- DLC premium.
- Comply with the requirements of the Standard(s) for Luminaires and are identified with the cETL Listed Mark.

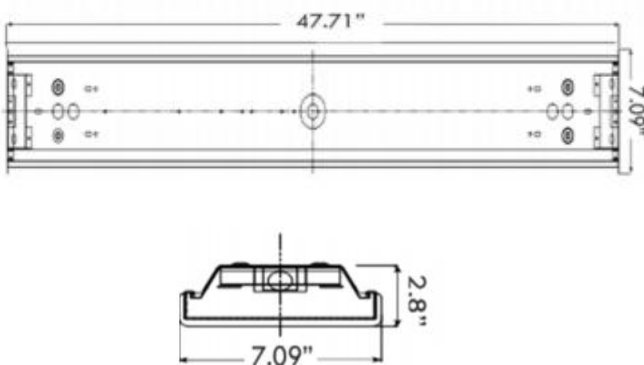
Accessories

- Emergency battery , motion sensor, surface mounted kits for option.

Warranty

- All products from DIMI LIGHT are guaranteed with 5 years' warranty.
- See [Warranty policy from DIMI LIGHT](#) for additional information.

■ DIMENSIONS



SIZE	Length(inch)	Width (inch)	Height(inch)
2ft	24.10"	7.09"	2.90"
4ft	47.71"	7.09"	2.90"
8ft	94.42"	7.09"	2.90"

■ SPECIFICATION

	MODEL	SIZE	WATT	CCT	LUMEN	EFFICACY
<input type="checkbox"/>	DM-WR2FT152024W-3545K	2ft	15W/20W/24W	3500K/4000K/5000K switchable	1950Lm 2600Lm 3120Lm	130Lm/W
<input type="checkbox"/>	DM-WR4FT303540W-3545K	4ft	30W/35W/40W switchable	3500K/4000K/5000K switchable	3900Lm 4550Lm 6500Lm	130Lm/W
<input type="checkbox"/>	DM-WR8FT647590W-3545K	8ft	64W/75W/90W switchable	3500K/4000K/5000K switchable	3900Lm 4550Lm 6500Lm	130Lm/W

■ ACCESSORIES (order separately)

- Emergency Battery
- Suspension Mounted Kit
- Motion Sensor
- Remote Controller



Emergency Battery

- UL listed approved
- Emergency power: 20W
- Charging time: 24 hours
- Illumination time: 90 minutes



Motion Battery

- Output Dimming: 0-10V
- Max Installation height: 40ft
- Microwave, Bi-level sensor
- Detection Distance: 26ft



Remote Controller

- LCD screen display
- Memory and apply function
- Universal smart controller for dimmable sensor



Suspension Mounted Kit

- For suspending the Highbay
- Material: stainless steel

■ PACKING INFO

SIZE	4PCS/CARTON			CONTAINER		
	DIMENSION(INCH)	N.W(LBS)	G.W(LBS)	20'GP(PCS)	40'GP(PCS)	40HQ(PCS)
4ft	49.21"x8.27"x12.99"	22.49	25.57	1600	3300	3500

■ INSTALLATIONS

❖ Surface Mounting

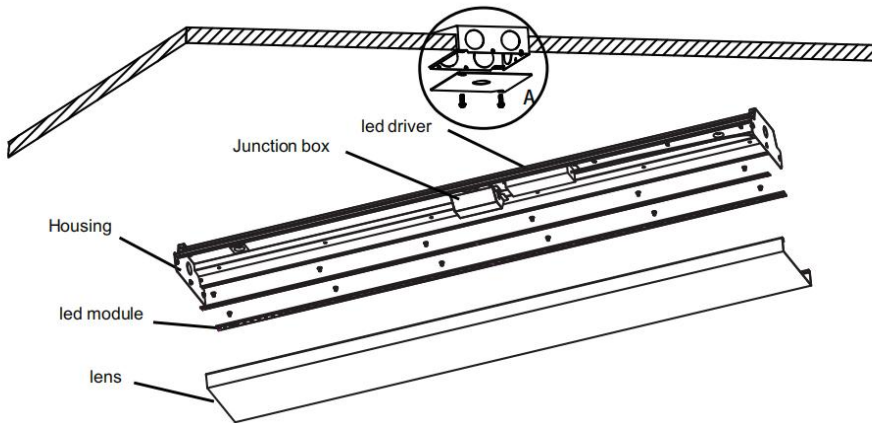


Figure 1
Concealed outlet box

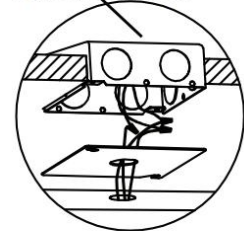
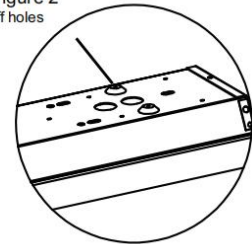


Figure 2
Knock-off holes



Step1. Remove product from packaging.

Step2. Remove lens by pulling from one side of the fixture and hinge on the other.

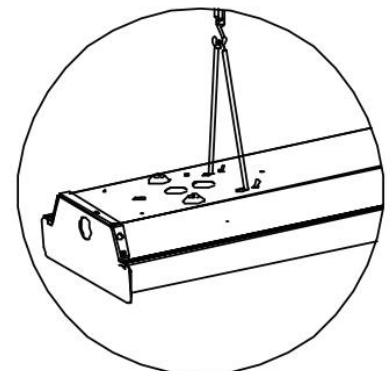
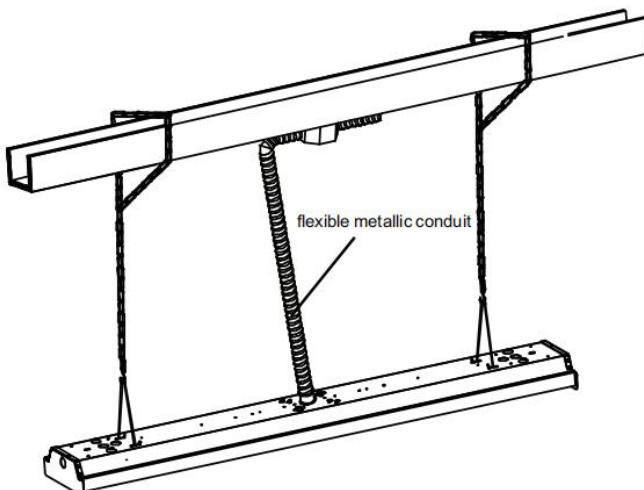
Step3. For mounting, using the provided mounting holes on each end of the fixture housing.

Step4. Make electrical connections according to code.

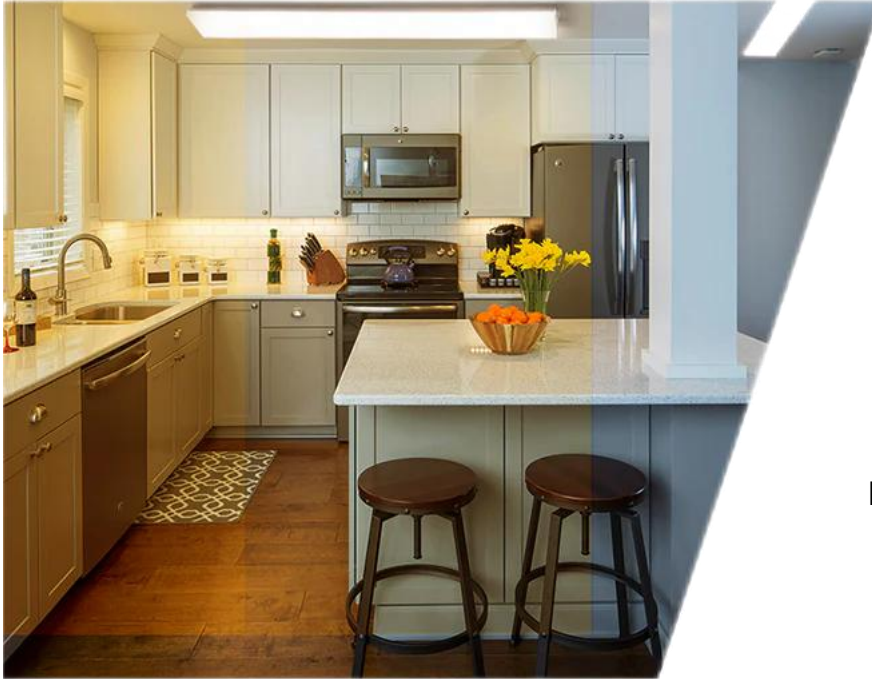
Step5. Install channel cover.

Step6. Install lens on one side of the fixture and rotate to engage the opposite side.

❖ Suspension Mounting



■ **APPLICATION**



SELECTABLE COLOR

TEMPERATURE

Decorate your space with the perfect lighting solution that offer 3 color temperature ranging from 3500K to 5000K.