

■ ADVANTAGE

- Wattage switchable :
20W/25W/30W/35W/40W (2x2ft)
25W/30W/35W/40W/50W (2x4ft)
- CCT switchable: 3000K/3500K/4000K/5000K
- 0-10V dimmable
- Input voltage: AC100-277V
- Lumen : 150Lm/W
- Aluminum heat sink for efficient heat dissipation
- Application: office, schools, hospital, library etc



■ DETAILS

Features

- High efficiency isolated LED driver; High driver efficiency > 88%, PF > 0.9.
- Equipped with automatic low-voltage protection LED driver.
- Wattage and CCT switchable through dip-switches.
- PC Lens has high transmittance.
- High-quality LEDs, provide bright and uniform lighting.
- Compatible with standard 0-10V dimmer.

Installations

- Can be recessed into grid ceiling.
- Using surface mounted kit accessories to surface mount.

Certifications

- DLC 5.1 premium.
- Comply with the requirements of the Standard(s) for Luminaires and are identified with the cETL Listed Mark.

Accessories

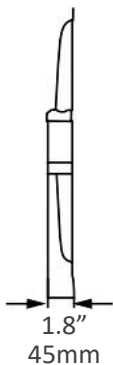
- Emergency battery , motion sensor, surface mounted kits for option.

Warranty

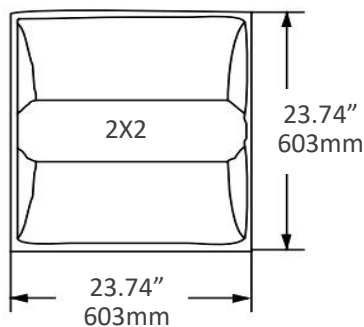
- All products from DIMI LIGHT are guaranteed with 5 years' warranty.
- See [Warranty policy from DIMI LIGHT](#) for additional information.

■ DIMENSIONS

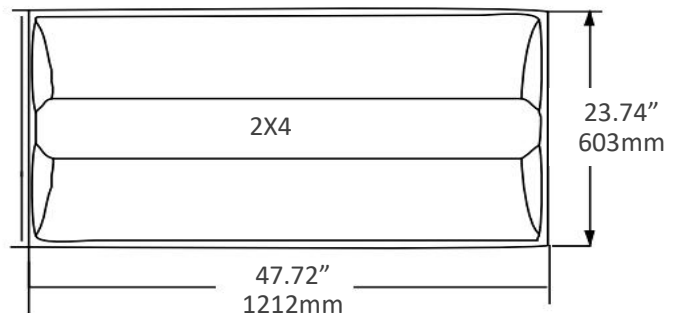
Side view



2x2 front view



2x4 front view



■ SPECIFICATION

	MODEL	SIZE	WATT	CCT	LUMEN	EFFICACY
<input type="checkbox"/>	DM-TR22W5-S4 <i>NEW</i>	2x2ft	20W/25W/30W/35W/40W Switchable	3000K/3500K/4000K /5000K Switchable	3000Lm-6000Lm	150Lm/W
<input type="checkbox"/>	DM-TR24W5-S4 <i>NEW</i>	2x4ft	25W/30W/35W/40W/50W Switchable	3000K/3500K/4000K /5000K Switchable	3750Lm-7500Lm	150Lm/W
<input type="checkbox"/>	DM-TR92235W-35K/ 40K/50K-Z	2x2ft	25W/30W/35W Switchable	3500K/4000K/5000K Switchable	3250Lm-4550Lm	130Lm/W
<input type="checkbox"/>	DM-TR92450W-35K/ 40K/50K-Z	2x4ft	40W/45W/50W Switchable	3500K/4000K/5000K Switchable	5200Lm-6500Lm	130Lm/W

■ ACCESSORIES (order separately)

- Motion Sensor
- Remote Controller

- 2x2ft Surface Mounted Kit
- 2x4ft Surface Mounted Kit

- Emergency Battery



Emergency battery

- UL listed approved.
- Charging time: 24 hours.
- Selectable emergency power: 8W.
- Illumination time: 90 minutes.
- Split design, more flexible for installation.



Surface mounted kit

- Available in 2x2ft, 2x4ft.
- Surface mounted kit is made of high quality aluminum material with white coating, corrosion and oxidation resistance.
- Perfect for troffer surface installation, can be use corridor, office, school, hospital, library, public room, utility areas etc

■ PACKING INFO

SIZE	2PCS/CARTON			CONTAINER		
	DIMENSION(INCH)	N.W(LBS)	G.W(LBS)	20'GP(PCS)	40'GP(PCS)	40HQ(PCS)
2x2ft	26.38"x4.33"x25.59"	14.66	16.09	1100	2300	2700
2x4ft	49.61"x4.33"x26.18"	25.57	27.33	550	1170	1400

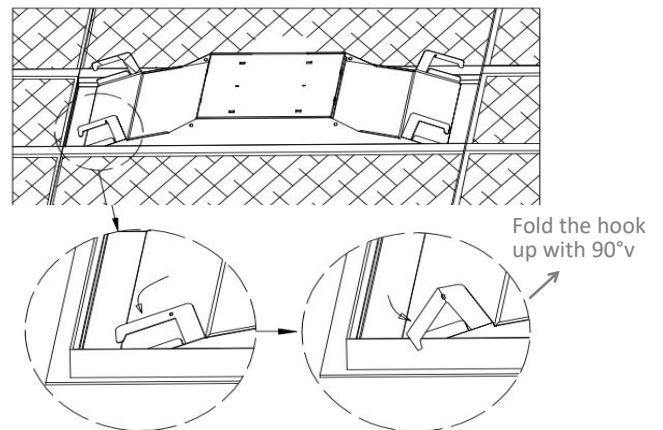
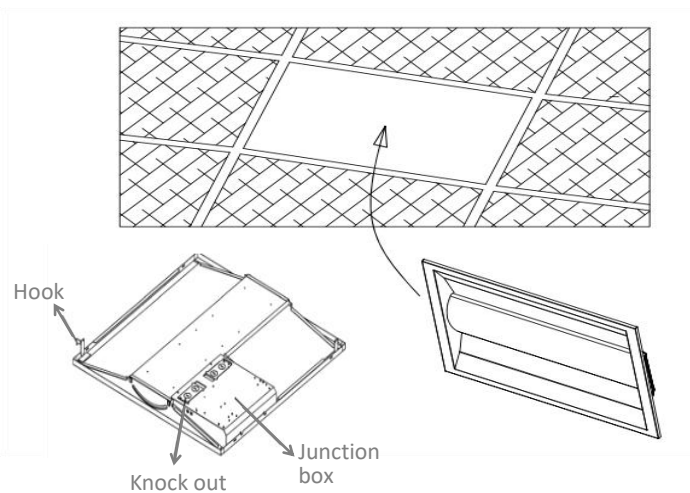
SIZE	4PCS/CARTON			CONTAINER		
	DIMENSION(INCH)	N.W(LBS)	G.W(LBS)	20'GP(PCS)	40'GP(PCS)	40HQ(PCS)
2x4ft	49.6"x7.68"x25.8"	47.66	56	600	1300	1500

■ INSTALLATIONS

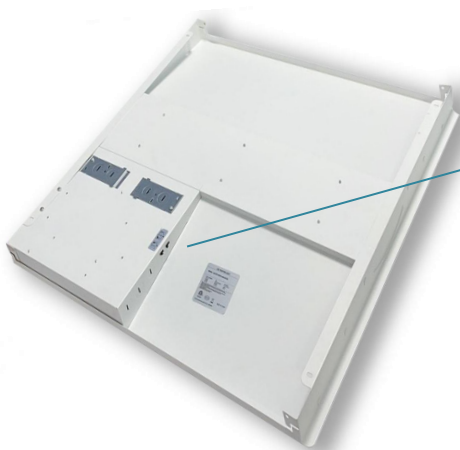
❖ Recessed

Step 1: Remove 2X2ft or 2X4ft tile from ceiling. Put on the LED troffer.

Step 2: Use the protective brackets for safety.



■ PRODUCT DISPLAY



Watt switchable options:

2x2ft: 20W/35W/30W/ 35W/40W

2x4ft: 25W/30W/35W/ 40W/50W

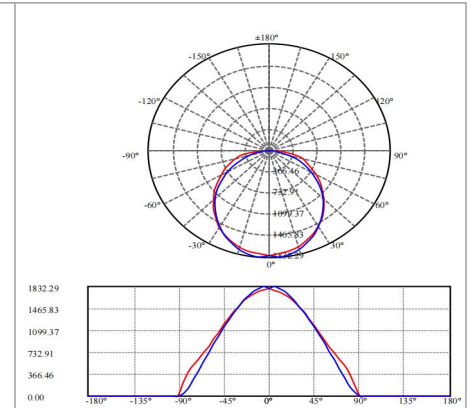
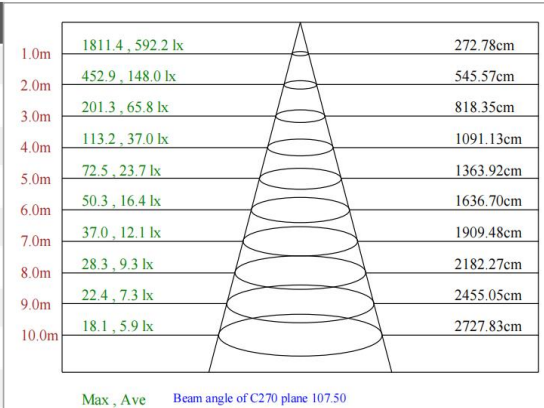
CCT switchable options:

2x2ft: 3000K/ 3500K/ 4000K/ 5000K

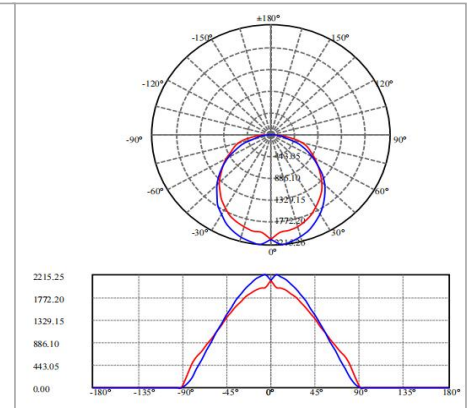
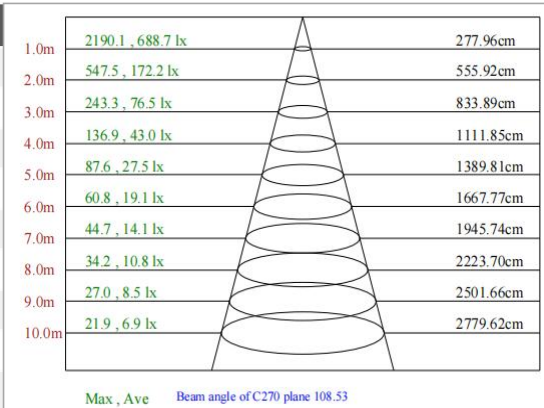
2x4ft: 3000K/ 3500K/ 4000K/ 5000K

PHOTOMETRIC DATA

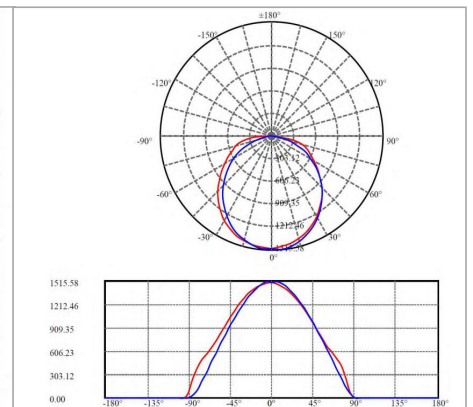
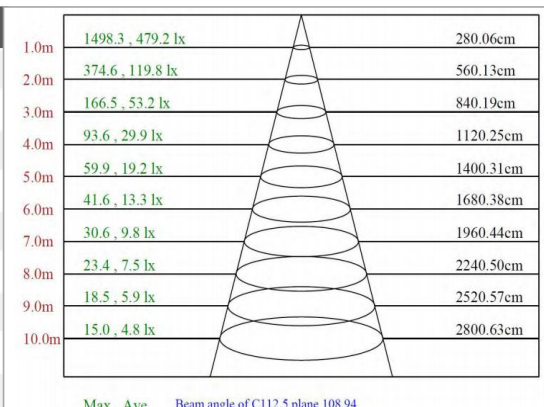
DM-TR22W5-S4	
Minimum Watt	20 W
Maximum Watt	40 W
PF	0.9966
Maximum CCT	3000K
Maximum CCT	5000K
Flux	6000 Lm
Efficacy (AC)	150 Lm/W
Dimmable	0-10 V
Voltage Range	100-277 V



DM-TR24W5-S4	
Minimum Watt	25 W
Maximum Watt	50 W
PF	0.9968
Maximum CCT	3000K
Maximum CCT	5000K
Flux	7500 Lm
Efficacy (AC)	150 Lm/W
Dimmable	0-10 V
Voltage Range	100-277 V



DM-TR92235W-35K/40K/50K-Z	
Minimum Watt	25 W
Maximum Watt	35 W
PF	0.984
Maximum CCT	3000K
Maximum CCT	5000K
Flux	4481.37 Lm
Efficacy (AC)	128.3 Lm/W
Dimmable	0-10 V
Voltage Range	100-277 V



DM-TR92450W-35K/40K/50K-Z	
Minimum Watt	40 W
Maximum Watt	50 W
PF	0.988
Maximum CCT	3000K
Maximum CCT	5000K
Flux	6299.64 Lm
Efficacy (AC)	128.3 Lm/W
Dimmable	0-10 V
Voltage Range	100-277 V

