

■ ADVANTAGE

- cETLus, DLC 5.1 premium
- 5 years warranty
- 0-10v dimmable driver
- CCT : 3000K/4000K/5000K
- PF>0.90 , CRI>80
- Input voltage: AC100-277V
- Lumen: 130Lm/W
- Reduces energy consumption up to 60%
- Application: Utility Lighting , Stairwell Lighting , Parking Garages , Hallways etc



■ DETAILS

Features

- Color Selectable
- 100,000+ life hours
- Outlasts comparable fluorescent
- UL rated for wet locations
- Sleek, modern design offers installation versatility
- Includes hardware for suspension and surface mounting
- Durable construction
- IP65 rated for harsh weather environments

Installations

- For surface-mount or suspension-mount

Certifications

- DLC 5.1 premium.
- Comply with the requirements of the Standard(s) for Luminaires (CAN/CSA-C22.2 No. 250.0) and are identified with the cETL Listed Mark.

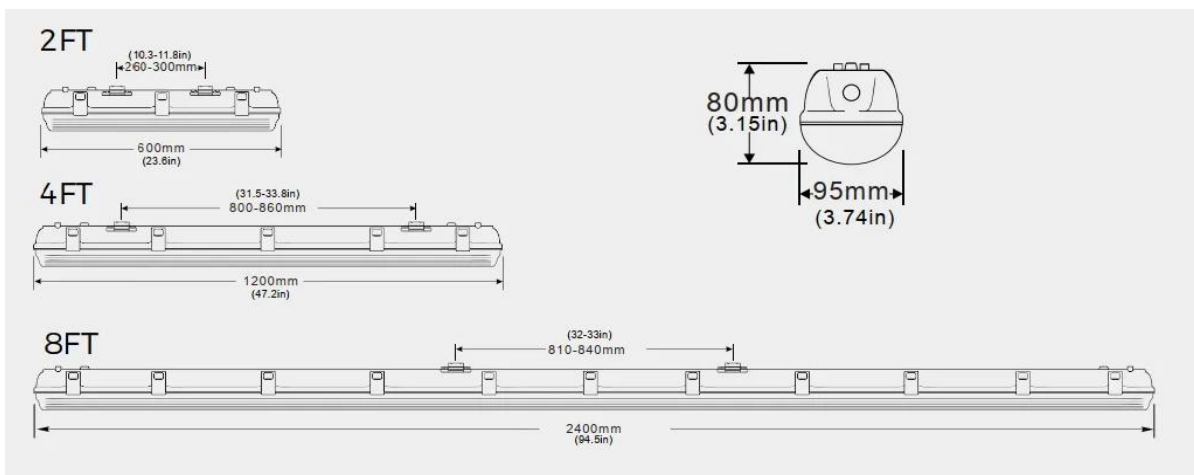
Accessories

- Surface mounted kits, Suspension kits , Waterproof cable gland

Warranty

- All products from DIMI LIGHT are guaranteed with 5 years' warranty.
- See [Warranty policy from DIMI LIGHT](#) for additional information.

■ DIMENSIONS



■ SPECIFICATION

	MODEL	SIZE	WATT	CCT	LUMEN	EFFICACY
<input type="checkbox"/>	DM-VT2FT25WT-3545K	2ft	15W/20W/25W	3500K/4000K/5000K switchable	1950-3250Lm	130Lm/W
<input type="checkbox"/>	DM-VT4FT35WT-3545K	4ft	22W/27W/35W	3500K/4000K/5000K switchable	3250-4420Lm	130Lm/W
<input type="checkbox"/>	DM-VT8FT90WT-3545K	8ft	50W/65W/80W	3500K/4000K/5000K switchable	8450-11700Lm	130Lm/W

■ ACCESSORIES

Surface mounting kits

Suspension kits

Waterproof cable gland



Surface mounted kit

- Brackets and screw
- High quality aluminum material with white coating, corrosion and oxidation resistance.



Suspension Kit

- Brackets and V-hooks
- Material: stainless steel



Waterproof cable gland

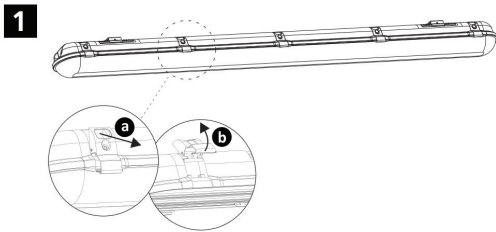
- Avoid the water or dust cable passing through

■ **PACKING INFO**

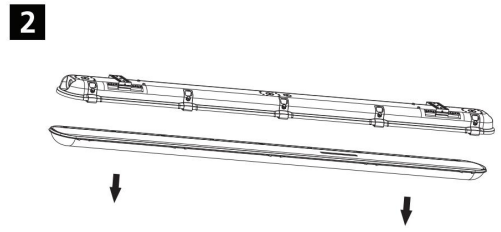
SIZE	4PCS/CARTON			PALLET		CONTAINER		
	DIMENSION(INCH)	N.W(LBS)	G.W(LBS)	PCS	CTNS	20'GP(PCS)	40'GP(PCS)	40HQ(PCS)
2ft	27.36"x9.25"x14.1"	11	12.12	100	25	1650	3695	4320
4ft	50.98"x9.25"x14.1"	22	24.24	52	13	900	2000	2353
8ft	74.60"x9.25"x14.1"	44	48.48	32	8	620	1350	1600

■ **INSTALLATIONS**

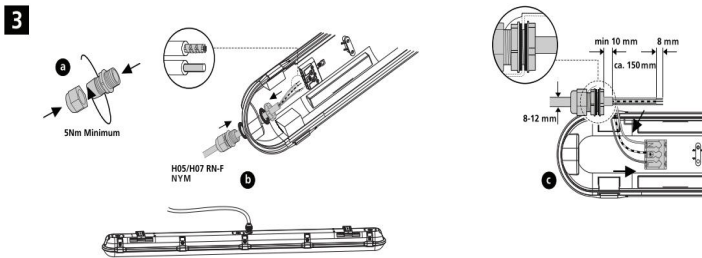
❖ **Surface mounting**



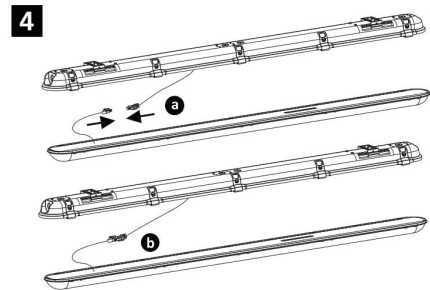
Open the clips



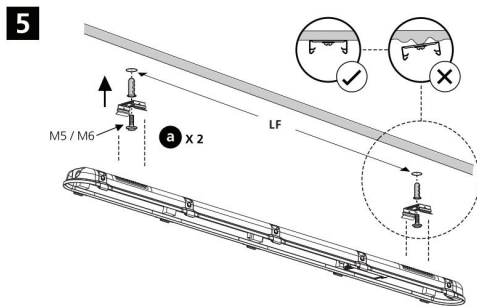
Open the lens



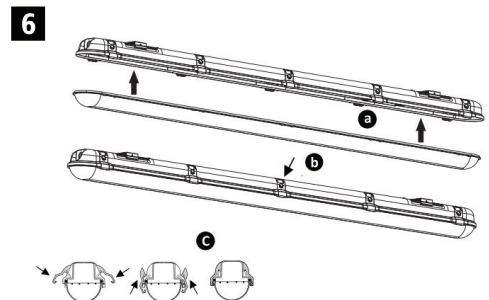
Install the waterproof connector



Connect the wire



Install the mounting brackets



Re-attach the lens to house and fasten the clip