

## ■ ADVANTAGE

- Wattage switchable :  
10W(4in) 15W(6in)
  - CCT switchable:  
2700k/3000k/3500K/4000K/5000K
  - 0-10v dimmable
  - PF>0.90 , CRI>80
  - Input voltage: AC120-277V
  - Lumen : 71 Lm/W
- Application:bathrooms, laundry, porches  
and garage work rooms.



## ■ DETAILS

### Features

- Low profile, no flicker
- Continuous dimming from 100% to 5% with many Triac Dimmers
- Provide true color rendering with 90+ CRI

### Installations

- Led disk light can be installed into any 5 or 6inch Recessed Can ,or3.5inch Junction Box, ideal for under soffit and shower installations.

### Certifications

- ETL listed
- Comply with the requirements of the Standard(s) for luminaires (CAN/CSA-C22.2 No. 250.0) and are identified with the cETL Listed Mark.

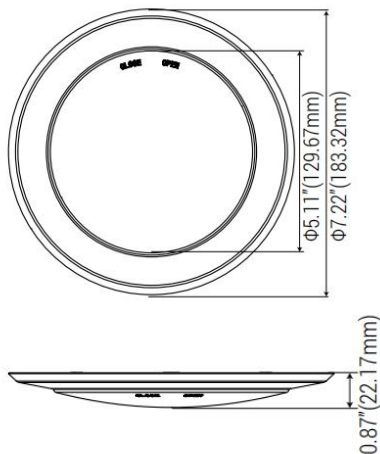
### Accessories

- Wire nuts, screws,E26 adapter,, mounting springs

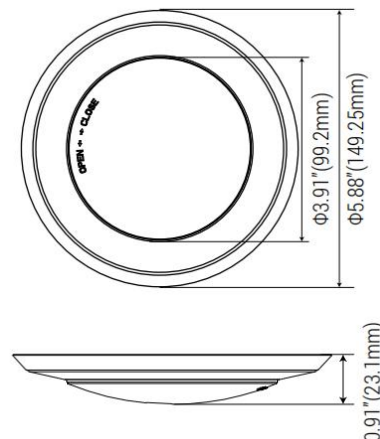
### Warranty

- All products from DIMI LIGHT are guaranteed with 5 years' warranty.
- See [Warranty policy from DIMI LIGHT](#) for additional information.

## ■ DIMENSIONS



**6in**



**4in**

## ■ SPECIFICATION

	MODEL	WATT	CCT	LUMEN	EFFICACY
<input type="checkbox"/>	DM-DL410W-S5	10W	2700K/3000K/3500K/4000K/5000K	591-625Lm	62Lm/W
<input type="checkbox"/>	DM-DL615W-S5	15W	2700K/3000K/3500K/4000K/5000K	941-1067Lm	71Lm/W

## ■ ACCESSORIES (order separately)

Wire Nuts

E26 Adapter

Screws

Mounting Springs



**E26 Adapter**



**Wire Nuts**



**Mounting**



**Screws**

## ■ PACKING INFO

SIZE	DIMENSION(INCH)	PCS PER CARTON	CONTAINER				
			N.W(LBS)	G.W(LBS)	20'GP(PCS)	40'GP(PCS)	40HQ(PCS)
6IN	17.6"x15.3x8.2"	24pcs	7.80	11.10	16000	35000	44000
4in	13.9"x12.7x13.1"	48pcd	16	22	30000	73000	86000

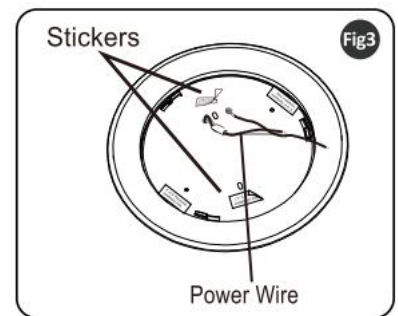
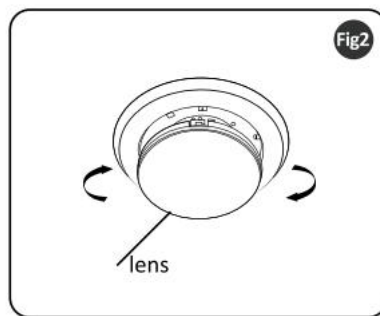
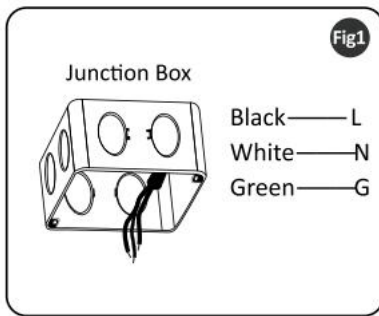
## ■ INSTALLATIONS

### ❖ Pole-pendant mount

**Step 1.** Make sure power off and the Junction Box is securely mounted before installation.(This disk light is

**Step 2.** Remove lens by twisting clockwise, see Fig2.

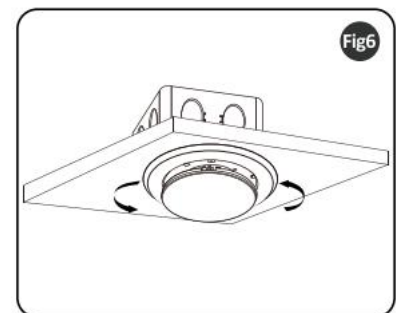
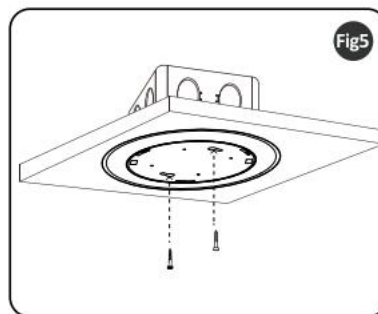
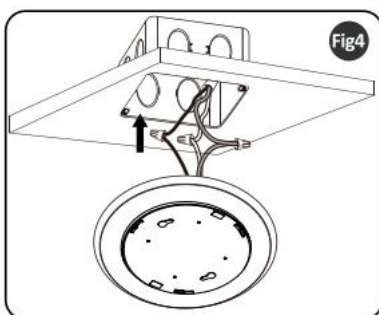
**Step 3.** Remove the two stickers at the disk light back that read as 3.5" Junction Box installation hole to reveal the screws lots, see Fig3.



**Step 4:** Connect the supply wires to the wires of disk light by using 3 wire nuts. Attach white to white, black to black, green to the ground wire, see Fig4.

**Step 5:** Arrange the wires into the Junction Box. Align appropriate slots in the disk light with the holes in the Junction Box. Use 2 screws to attach the disk light, flush with the ceiling, see

**Step 6:** Placing the lens back into its original position by twisting it in counter clockwise direction, see Fig6.



**Step 7:** Seal the edge of the fixture and the lens by using the waterproof glue, see Fig7.

